

零件手册

机壳系统·····	11
上轴系统·····	13
刺布系统和送布系统·····	15
挑线系统与固定压脚系统·····	17
起棱盘系统与压脚系统·····	19
跳针系统与抬压脚系统·····	21
切布系统·····	23
靠膝系统和标准附件·····	25

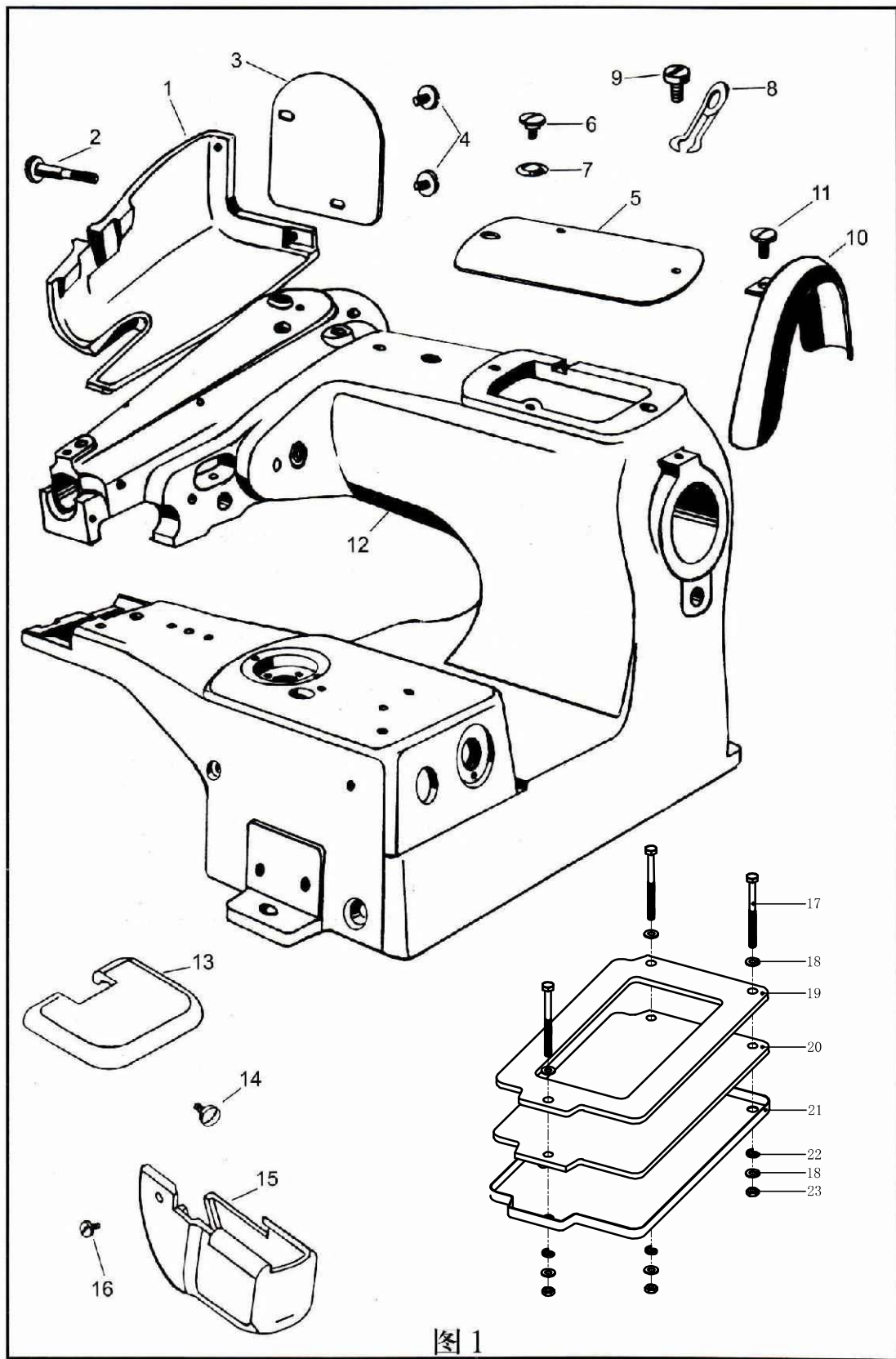


图 1

机壳系统

序号 Ref.No	件号 Parts.No	部件名称 Description
1	A01-01	边盖/Arm Side Cover
2	LD00500	边盖固定螺钉/Screw(15/64-28×21)
3	A01-03	边盖板/Arm Side Cover Plate
4	LD00007	边盖板螺钉/ Screw(3/16-32×5.5)
5	A01-05	顶盖板/Arm Top Cover Plate
6	LD00501	顶盖板螺钉/Screw(3/16-32×5.8)
7	DQ00004	顶盖板垫圈/Arm Top Cover Plate Washer
8	A07-12	引线装置/Thread Guide
9	LD00530	引线装置螺钉/Screw(11/64-40×3)
10	A01-08	皮带护罩/Belt Guard
11	LD00502	皮带护罩固定螺钉/Screw(3/16-32×8)
12	A01-10-E	机架/Machine Frame
13	F J6-3	尾盖板/Tail Cover Plate
14	LD00081	螺钉/Screw
15	D1-15	剪切架外罩/Shear Frame Cover
16	LD00503	螺钉/Screw
17	F J1-13	机器固定螺栓/Machine frame
18	DQ00029	固定螺栓垫圈/Copper oil pipe line
19	F J1-16-1	机器橡胶垫/Copper oil pipe 5
20	F J1-21	机器羊毛毡/Rubber cap 16.5
21	A01-13-1	机器底盘/Three-ring of thread take-up
22	DQ00014	弹簧垫圈/Haploporeof thread take-up
23	LM00006	固定螺栓螺母/Pendulum shaft frontal cover

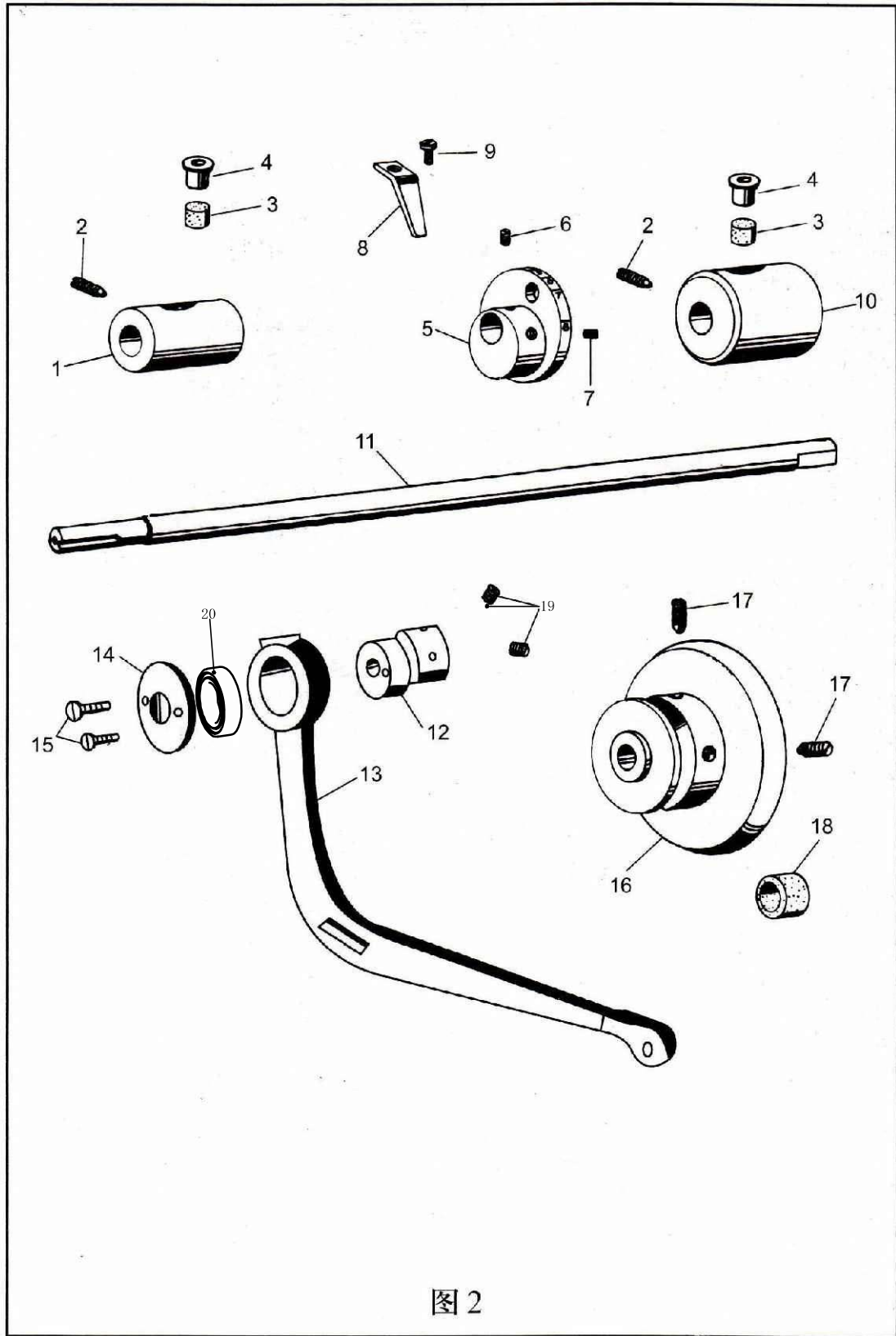


图 2

上轴和摆杆系统

序号 Ref.No	件号 Parts.No	部件名称 Description
1	A02-01	主轴前套管/Main Shaft Bushing (Front)
2	LD00001	主轴套管螺钉/Screw(M6×10)
3	927C012	油线/The Oil Line
4	A03-01	油盖/Oil Cap
5	A02-05	针缝调节轮/Counterweight
6	LD00506	针缝调节轮螺钉/Screw(15/64-28×5)
7	LD00506	针缝调节轮螺钉/Screw(15/64-28×5)
8	A02-08	缝迹长度指示器/Stitch Length Indicator
9	LD00504	缝迹长度指示器螺钉/Screw(9/64-40×5.7)
10	A02-10	主轴后套管/Main Shaft Bushing (Rear)
11	A02-11	主轴/Main Shaft
12	A02-16-A	主轴偏心/Ridge Forming Plate Eccentric
13	H2-15	大连杆/Ridge Forming Plate Connecting Rod
14	A02-16-B	盖板/Cover Plate
15	LD00518	螺钉/Screw(1/8-44×6.5)
16	A02-29	皮带轮/Hand Wheel
17	LD00001	皮带轮螺钉/Screw(M6×10)
18	A02-31	皮带轮橡皮盖/Hand Wheel Rubber Cap
19	LD00003	内紧定/Screw(M6×6)
20	ZC00042	轴承/Ball Bearing

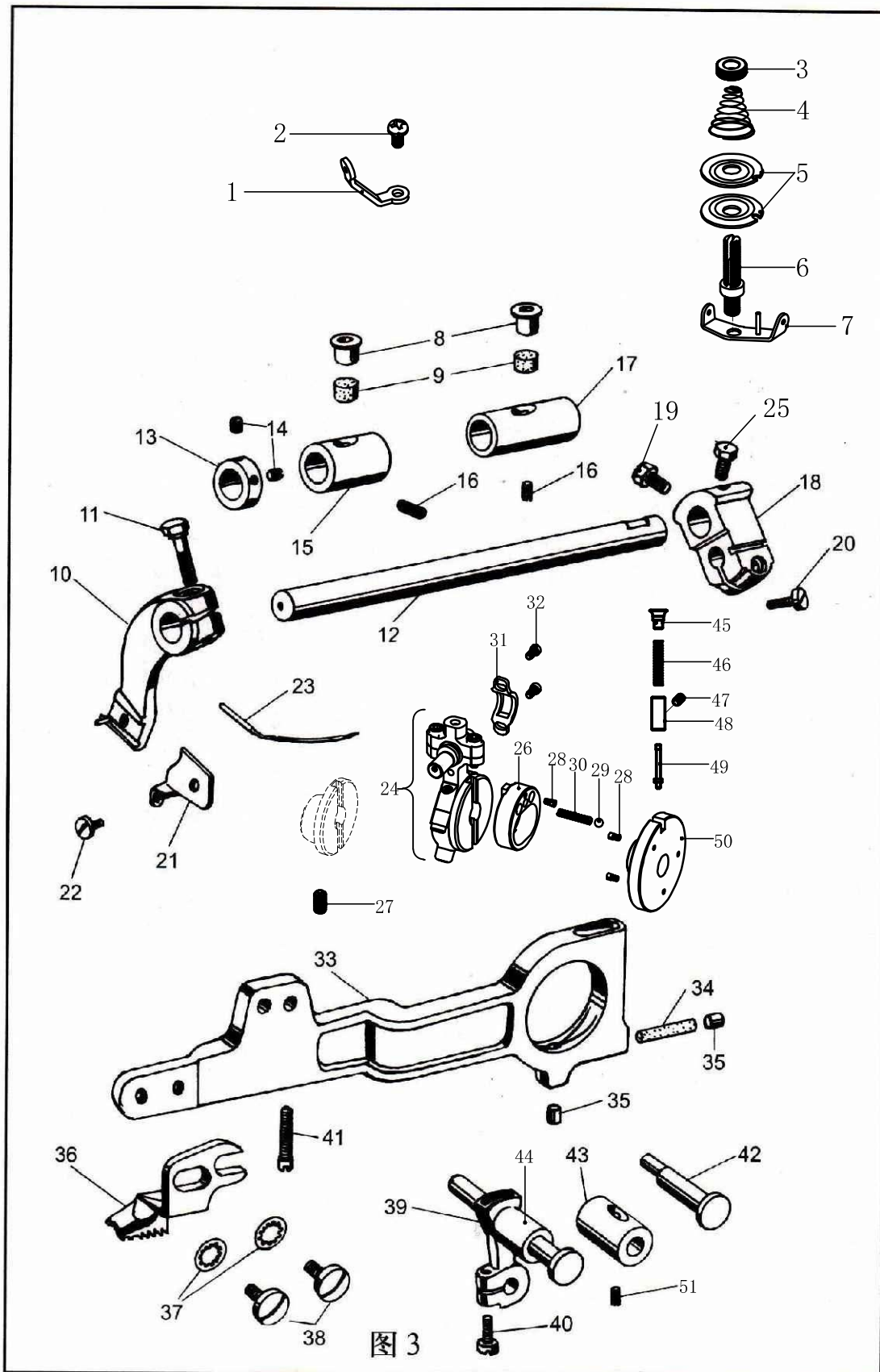


图 3

刺布系统和送布系统

序号 Ref.No	件号 Parts.No	部件名称 Description
1	A07-01-A	引线装置/Thread Guide With Ceramic
2	LD00010	引线装置螺钉/Screw(11/64-40×8)
3	K1-29	压线螺母/Thread Tension Nut
4	K1-28-B	压线弹簧/Thread Tension Spring
5	K1-27-A	压线板/Thread Tension Disc
6	D3-06	压线杆/Thread Tension Staff
7	H1-15	压线圈孔/Tension Disc Eyelet
8	A03-01	油盖/Oil Cap
9	927C012	油线/The Oil Line
10	A03-03	针摆/Needle Carrier
11	LD00509	针摆螺钉/Screw(3/16-32×16.5)
12	A03-05	针轴/Needle Carrier Shaft
13	A03-06	针轴环/Needle Carrier Shaft Collar
14	LD00510	针轴环螺钉/Screw(11/64-40×4)
15	M02-32	针轴前套管/Needle Carrier Shaft Bushing (Front)
16	LD00099	针轴前套管螺钉/Screw(M5×8)
17	M02-31	针轴后套管/Needle Carrier Shaft Bushing (Rear)
18	A03-12	针轴曲柄/Needle Carrier Shaft Crank
19	LD00511	针轴曲柄螺钉/Screw(1/4-40×10)
20	LD00512	针轴曲柄夹紧螺钉/Screw(11/64-40×16)
21	K3-19	针夹/Needle Clamp
22	LD00508	针夹螺钉/Screw(9/64-40×7.7)
23	BZ1-13	机针(LW/6T系列)/Needle (System LW × 6T)
24	A03-18	关节球头组件/Needle Driving Eccentric Assembly
25	LD00505	针轴曲柄螺钉/Screw(1/4-40×5.2)
26	A03-18-B	偏心套/Spring H
27	LD00539	连杆偏心器螺钉/Screw(7/32-32×11)
28	LD00538	缝迹指示器螺钉/Screw(3/32-56×3.3)

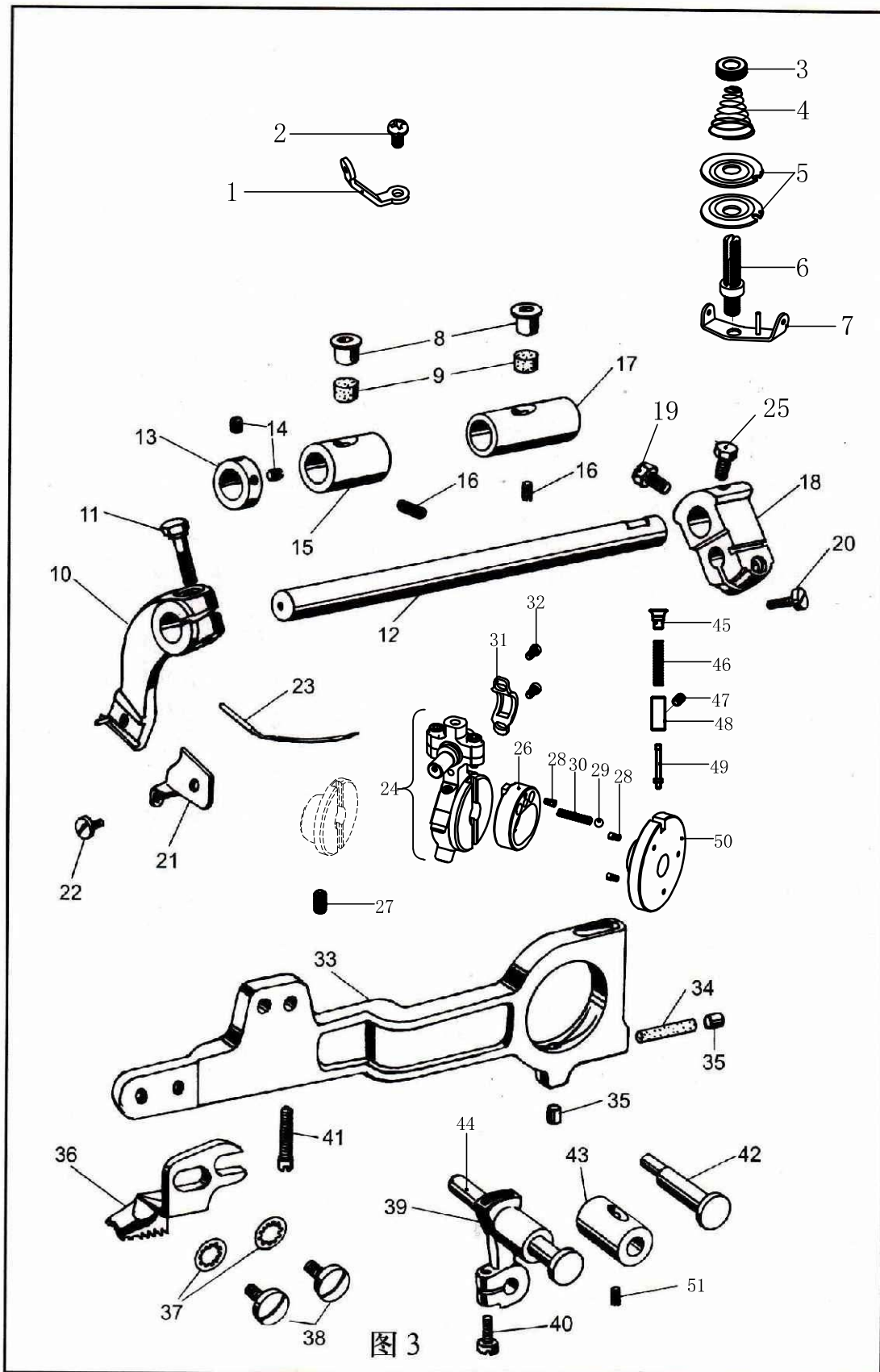


图 3

刺布系统和送布系统

序号 Ref.No	件号 Parts.No	部件名称 Description
29	GZ00002	缝迹指示器钢珠/Stitch Regulator Ball
30	TH00001	缝迹指示器弹簧/Stitch Regulator Spring
31	A03-25	球头套盖/Ball Connecting Rod Cap
32	LD00518	球头套盖螺钉/Screw(1/8-44×6.5)
33	D3-33	进料杆/Feed Lever
34	927C012	油线/Oil Line
35	A03-29-A	牙架帽销/Rack cap pin
36	A03-30	牙齿/Feed Dog
37	DQ00012	牙齿垫圈/Feed Dog Washer
38	LD00513	牙齿螺钉/Screw(3/16-32×8)
39	A03-33-A	送布曲柄/Feed Link
40	LD00514	送布曲柄销子螺钉/Screw(11/64-40×11)
41	LD00099	进料曲柄销子螺钉/Screw(M5×8)
42	A03-37	进料曲柄套管/Feed Link Eccentric Stud Bushing
43	A03-36	送料曲柄偏心销/Feed Link Eccentric Stud
44	A03-33-B	送布曲柄销子/Feed Stud
45	A03-39-B	缝迹长度调节活塞按钮/Piston button
46	TH00002	缝迹长度调节活塞弹簧/ Piston spring
47	LD00004	活塞螺钉/Screw(M4×4)
48	A03-39	缝迹长度调节活塞套/Piston cover
49	A03-39-A	缝迹长度调节活塞销/Piston pin
50	A03-18-C	偏心调节盘/Washer 5
51	LD00083	进料曲柄套管螺钉/Screw(M5X5)

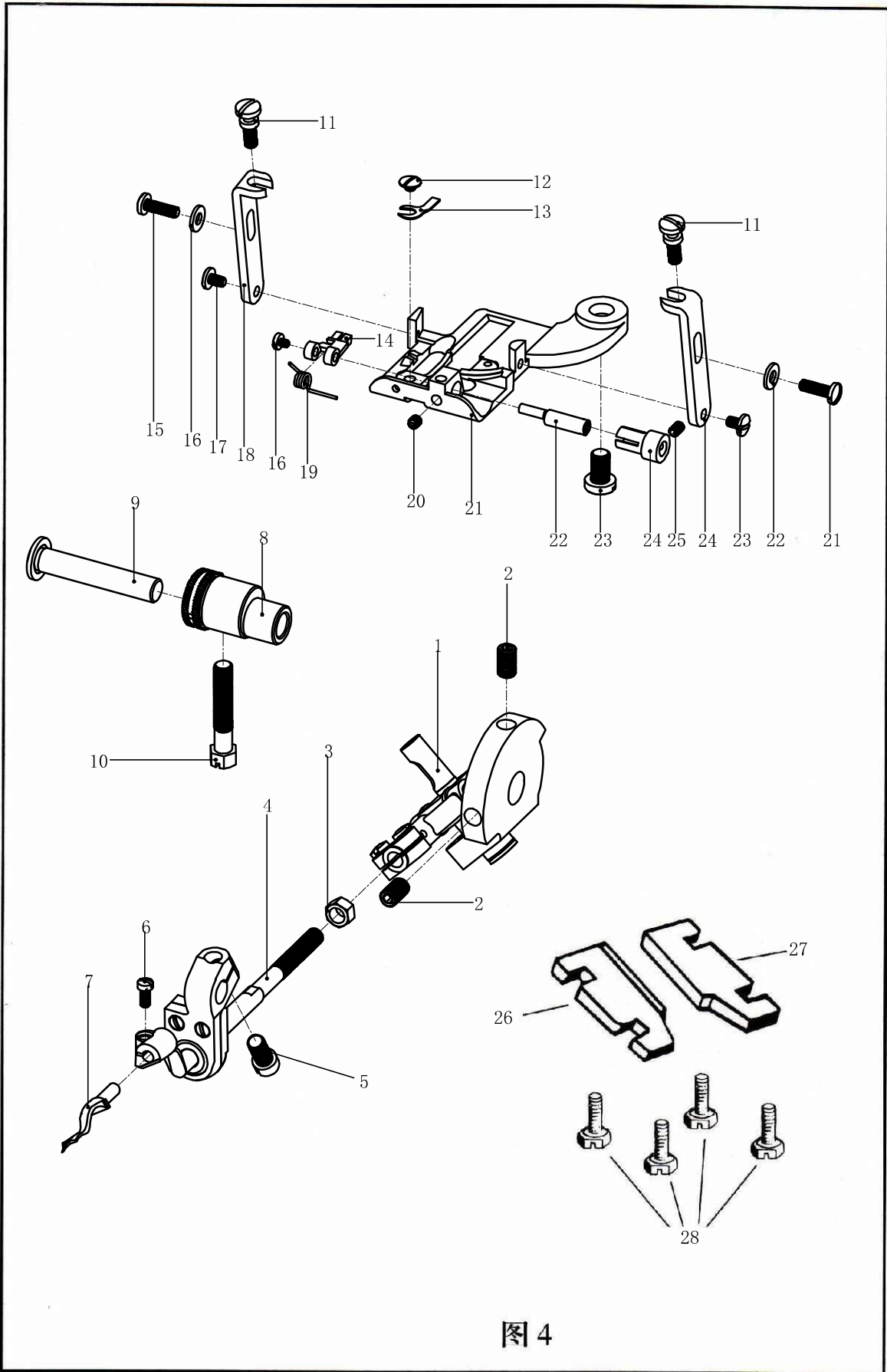


图 4

挑线系统与固定压脚系统

序号 Ref.No	件号 Parts.No	部件名称 Description
1	A04-01	打环器曲柄组件/Looper Drive Crank Assembly
2	LD00063	打环器曲柄组件螺钉/Screw(15/64-28×10)
3	LM00004	打环器针螺母/Looper Carrier Nut
4	A04-09-A	打环器针组件/Looper Carrier Assembly
5	LD00517	打环器轴承夹紧螺钉/Screw(7/32-32×11.5)
6	LD00518	打环器针夹紧螺钉/Screw(1/8-44×6.5)
7	K3-32	挑线叉/Looper
8	A04-17	偏心套筒/Eccentric Sleeve
9	A04-17-A	偏心销子/Eccentric Pin
10	LD00519	套筒螺钉/Screw(15/64-28×30)
11	LD00520	针板支架调节螺钉/Screw(M4×9)
12	LD00521	导布板螺钉/Screw(9/64-40×2.3)
13	K3-58	导布板/Stitch Stabilizing Guide
14	D4-15-1	压布板/Cloth Retainer
15	LD00280	针板支架夹紧螺钉/Screw(9/64-40×11.5)
16	DQ00005	针板支架垫圈/Washer
17	LD00523	针板夹紧螺钉/Screw(1/8-44×5.2)
18	K3-48	针板支架/Presser Foot Bracket
19	A04-33	压布板弹簧/Cloth Retainer Spring
20	LD00524	压布板销锁紧螺钉/Screw(9/64-40×4)
21	D4-12	针板/Needle Guide
22	A04-34	压布板偏心销/Cloth Retainer Eccentric Stud
23	LD00525	针板螺钉/Screw(15/64-28×10)
24	K3-67	压布板偏心套筒/Cloth Retainer Eccentric Stud Bushing
25	LD00040	压布板偏心销螺钉/Screw(M3×3)
26	D4-23	左限位板/Left Limit Plate
27	D4-22	右限位板/Right Limit Plate
28	LD00075	螺钉/Screw

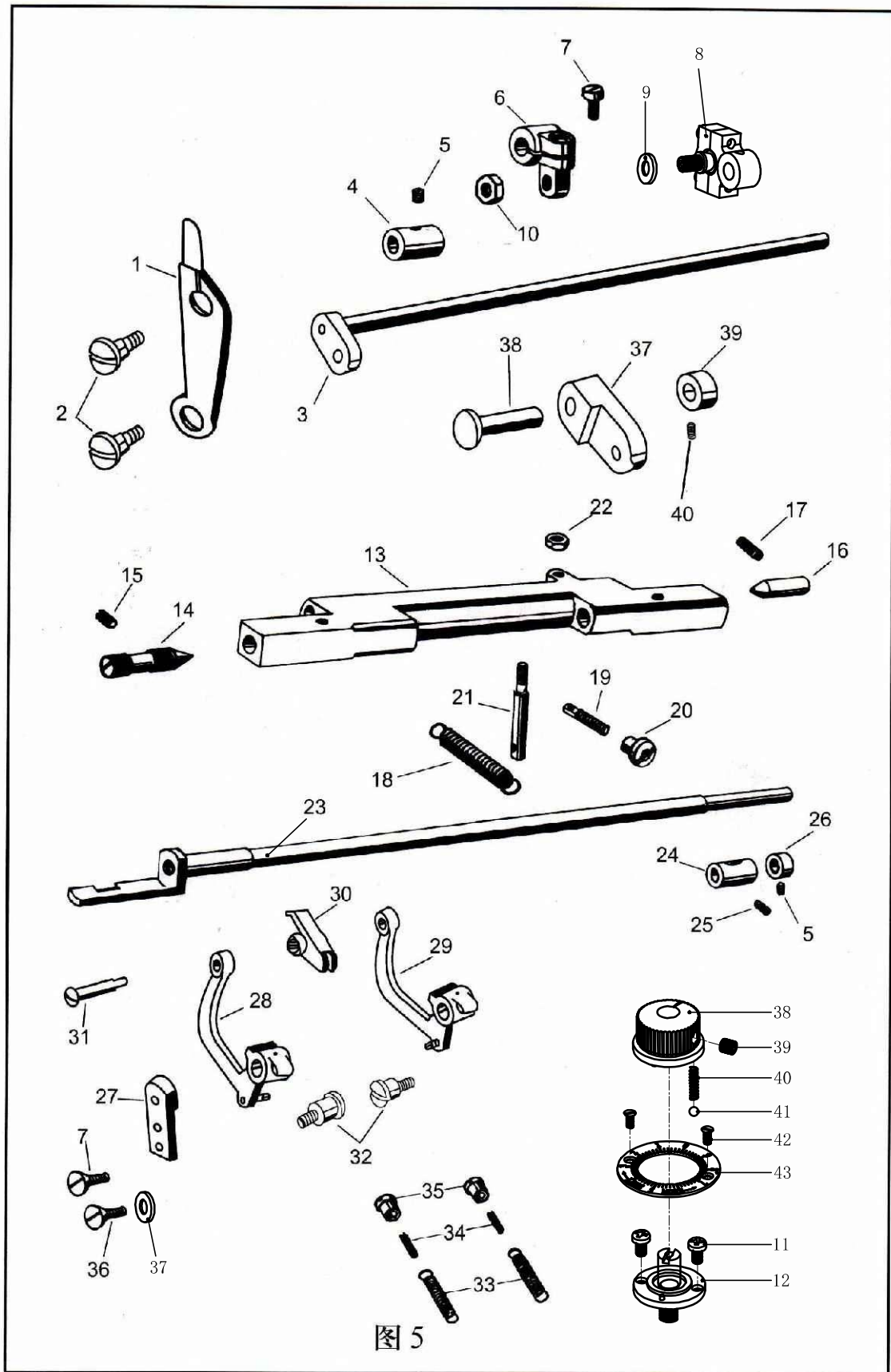


图 5

起棱盘系统与压脚系统

序号 Ref.No	件号 Parts.No	部件名称 Description
1	D5-01	起菱盘/Ridge Forming Disc
2	D5-02	螺钉/Screw
3	D5-03	起菱盘轴/Ridge Forming Disc Shaft
4	A05-06	起菱盘轴环/Ridge Forming Disc Shaft Collar
5	LD00004	起菱盘曲柄螺钉/Screw(M4×4)
6	A05-08	起菱盘曲柄/Ridge Forming Disc Shaft Crank
7	LD00503	起菱盘曲柄螺钉/Screw(11/64-40×10)
8	A05-10	球形接头和螺钉/Ball Joint& Stud Assembly With Screws
9	DQ00014	弹簧垫片/Spring Shim
10	LM00004	球头固定螺母/Ball Stud Nut
11	LD00518	调节基座螺钉/Screw(1/8-44×6.5)
12	A05-45	调节基座/Disc Adjusting Regulator Base
13	A05-13	起菱盘调节柄/Disc Adjusting Holder
14	A05-14	调节柄调节螺钉/Screw
15	LD00003	调节柄轴固定螺钉/Screw(M6×6)
16	A05-16	调节柄锥度销/Disc Adjusting Holder Pivot Bearing Pin
17	LD00003	调节柄轴固定螺钉/Screw(M6×6)
18	TH00003	调节柄弹簧/Disc Adjusting Holder Spring
19	A05-19	调节柄弹簧螺钉/Disc Adjusting Holder Spring Screw
20	A05-20	调节柄弹簧螺母/Disc Adjusting Holder Spring Nut
21	A05-21	调节柄弹簧拉销/Disc Adjusting Holder Spring Stud
22	LM00007	调节柄弹簧拉销螺母/ Nut
23	A05-23	抬压脚轴/Feed Plate Shaft
24	A05-24	抬压脚轴套管/Feed Plate Shaft Bushing
25	LD00001	抬压脚轴套头螺钉/Screw(M6×10)
26	A05-26	抬压脚轴轴环/Feed Plate Shaft Collar

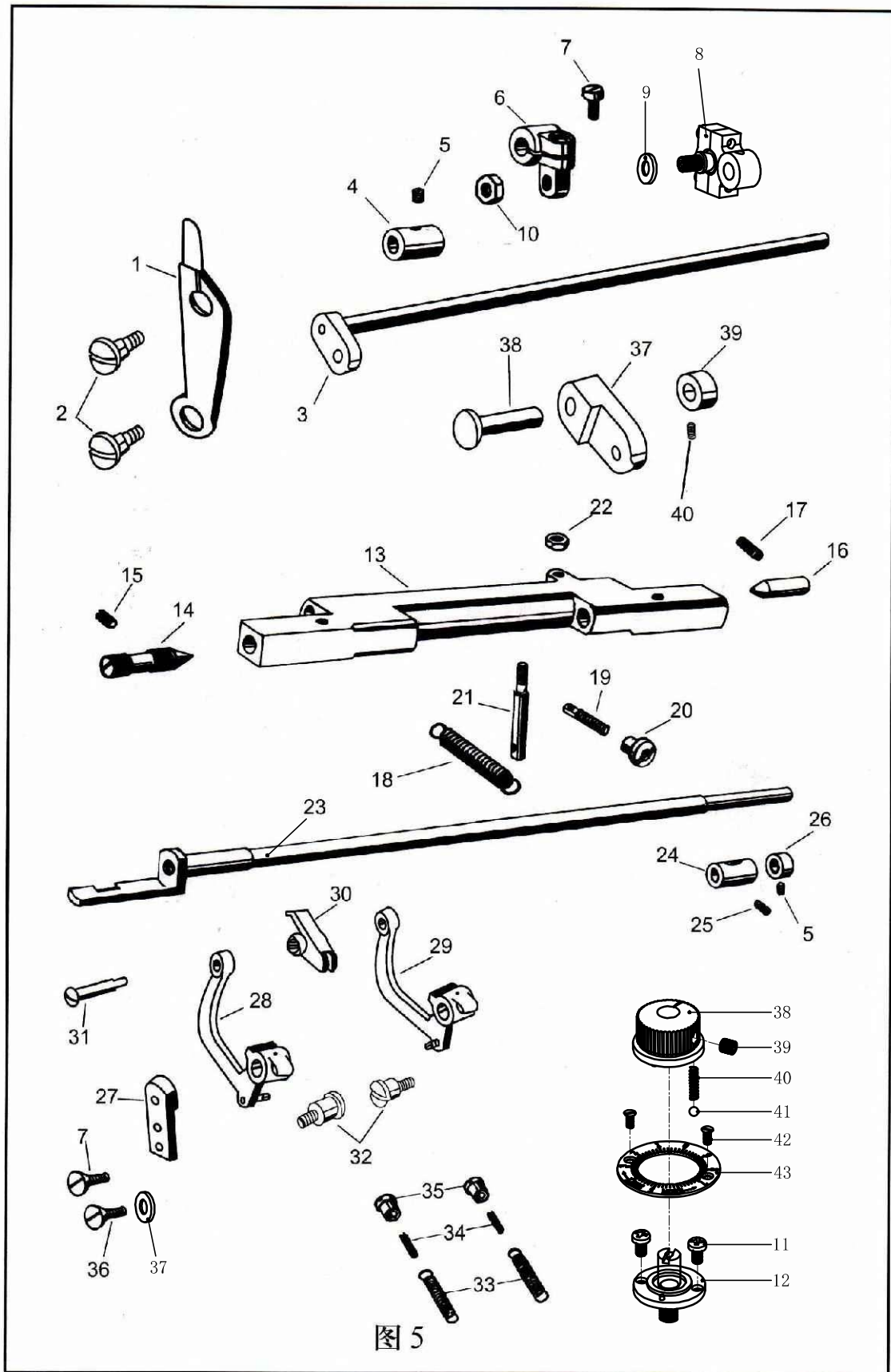
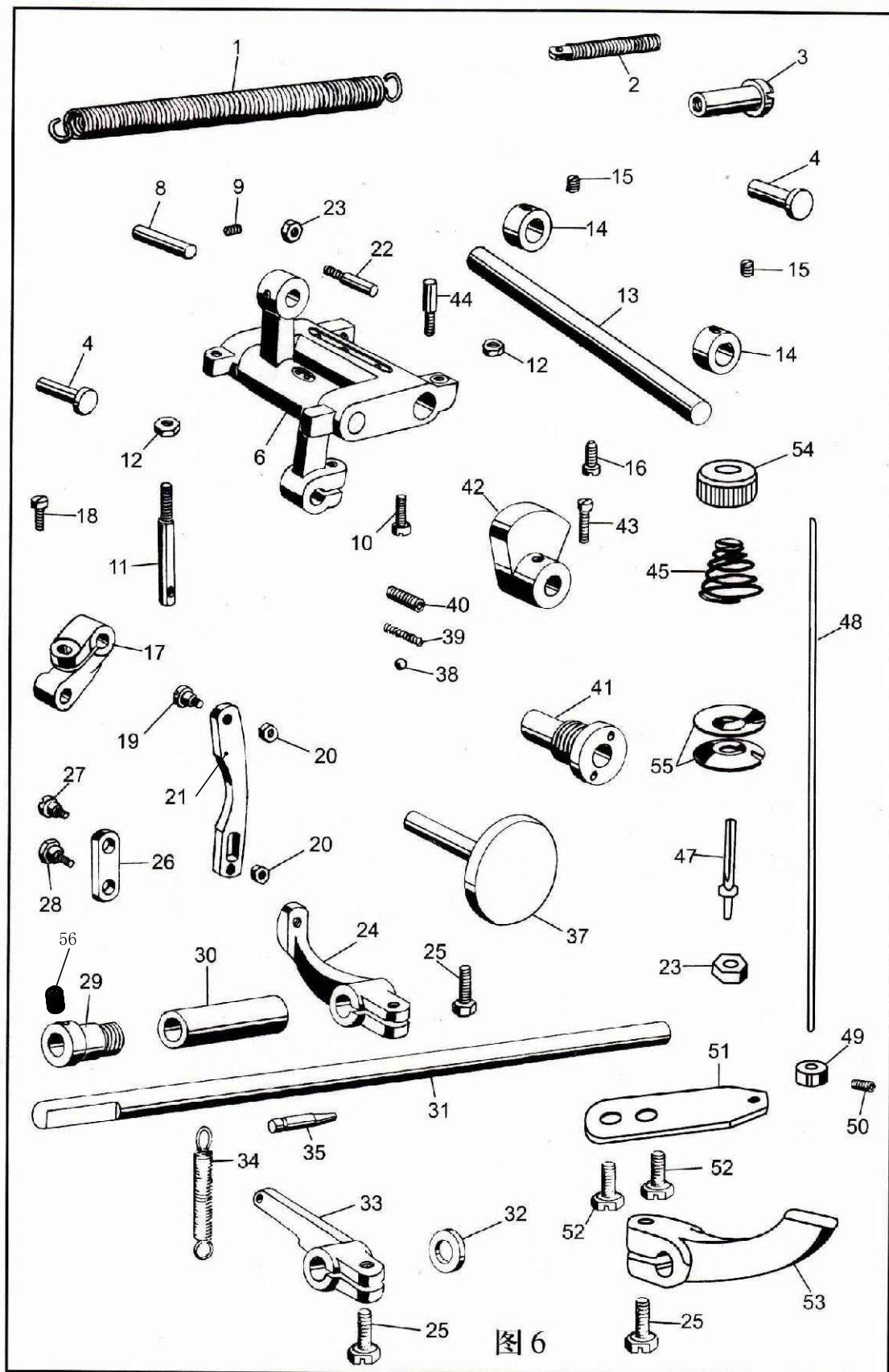


图 5

起棱盘系统与压脚系统

序号 Ref.No	件号 Parts.No	部件名称 Description
27	D7-27	压脚托架/Feed Plate Bracket
28	D5-28	左压脚支架/Cylinder bed shaft sleeve
29	D5-29	右压脚支架/Cylinder bed shaft sleeve
30	D5-30	压脚/Cylinder bed shaft
31	D5-31	压脚螺钉/Screw(11/64-40×15)
32	A05-31	压脚轴位螺钉/Feed Plate Shoulder Bearing Screw
33	TH00004	压脚拉簧/Feed Plate Spring
34	A05-33	压脚拉簧螺钉/Feed Plate Spring Screw
35	A05-34	压脚拉簧螺母/Feed Plate Spring Adjusting Nut
36	LD00010	托架螺钉/Screw(11/64-40×11)
37	DQ00026	垫圈/Washer
38	A05-39	起菱盘调节器/Disc Adjusting Regulator Assembly
39	LD00003	调节器固定螺钉/Screw(M6×6)
40	TH00005	调节弹簧/Disc Adjusting Regulator Spring
41	GZ00001	钢球/Disc Adjusting Regulator Ball
42	LD00342	调节显示牌螺钉/Screw(1/8-44×7)
43	A05-37	调节显示牌/Disc Adjusting Dial



跳针系统与抬压脚系统

序号 Ref.No	件号 Parts.No	部件名称 Description
1	TH00006	摆杆托架弹簧/Disc Oscillating Rod Bracket Spring
2	A06-02	弹簧螺钉/Disc Oscillating Rod Bracket Spring Screw
3	A06-03	弹簧螺母/Disc Oscillating Rod Bracket Spring Nut
4	A06-11	摆杆销2/Disc Oscillating Rod Stud
6	A06-07	摆杆/Disc Oscillating Rod Assembly
8	A06-09	摆杆销1/Disc Oscillating Rod Pin
9	LD00178	摆杆销螺钉Screw(11/64-40×3.2)
10	LD00528	摆杆销螺钉/Screw(9/64-40×12)
11	A06-13	托架弹簧栓/Disc Oscillating Rod Bracket Spring Stud
12	LM00001	弹簧栓螺母/Nut
13	A06-15	托架轴/Disc Oscillating Rod Bracket Shaft
14	K2-20	托架轴环/Disc Oscillating Rod Bracket Shaft Collar
15	LD00003	托架轴环螺钉/Screw(M6×6)
16	LD00001	托架轴螺钉/Screw(M6×10)
17	A06-19	进料板曲柄/Feed Plate Depressing Crank
18	LD00512	进料板曲柄螺钉/Screw(9/64-40×16)
19	A06-21	曲柄轴位螺钉/Crank & Link Shoulder Screw
20	LM00008	小连接杆螺母/Connecting Link Set Screw Nut
21	A06-23	连接杆/Connecting Link (Large)
22	A06-24	连接杆螺钉/Connecting Link Guide Screw
23	LM00002	连接杆螺母/Connecting Link Guide Screw Nut
24	A06-26	机轴托架/Knee Press Shaft Crank
25	LD00529	机轴托架螺钉/Screw(15/64-28×17)
26	A06-28	小连接杆/Connecting Link (small)
27	A06-29	小连接杆螺钉/Connecting Link Set Screw
28	A06-31	托架连接螺钉/Crank & Link Shoulder Screw

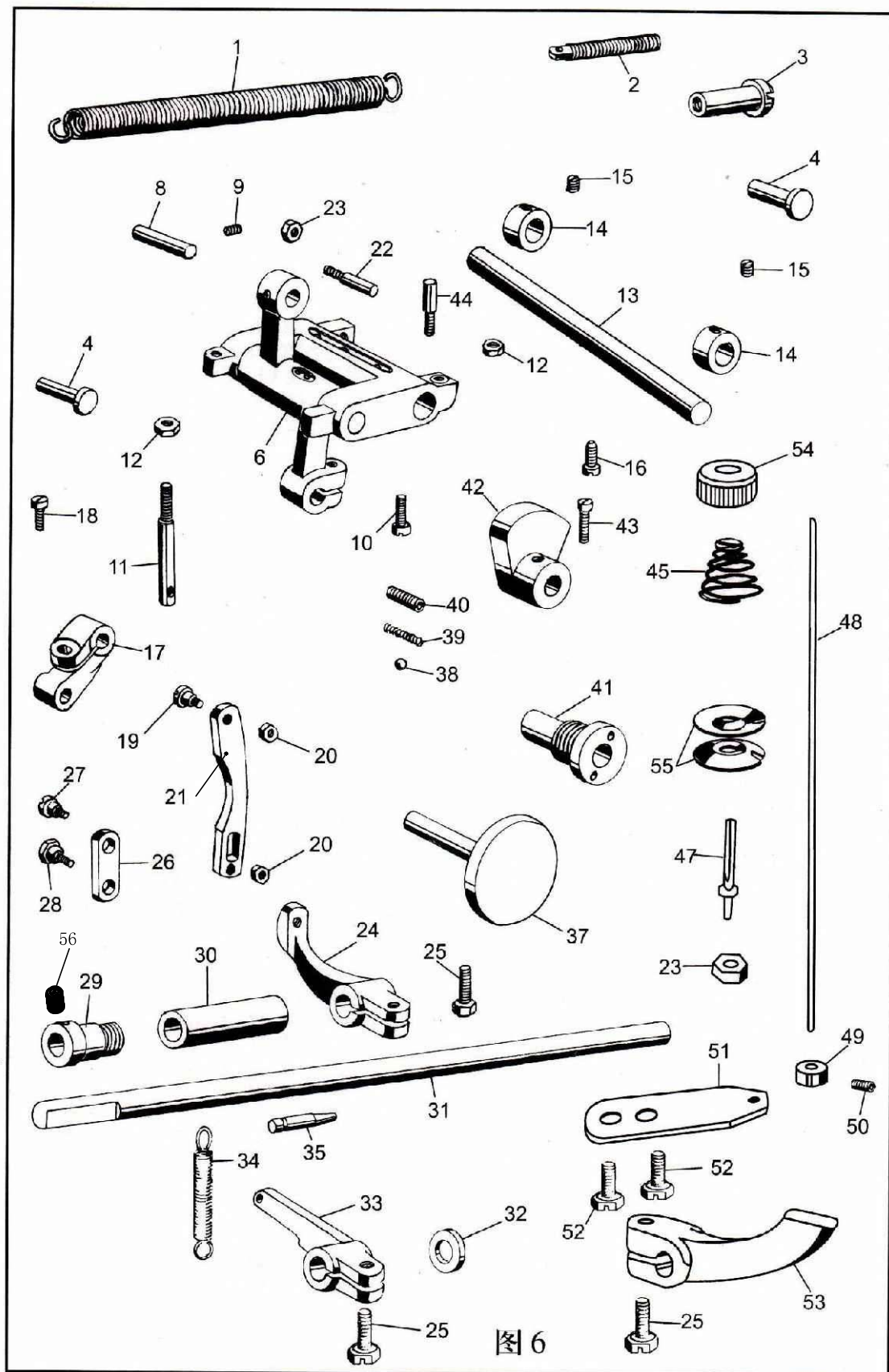


图 6

跳针系统与抬压脚系统

序号 Ref.No	件号 Parts.No	部件名称 Description
29	A06-32	机轴套管/Knee Press Shaft Sleeve
30	A06-35	机轴套管/Knee Press Shaft Bushing
31	A06-36	机轴/Knee Press Shaft
32	DQ00009	机轴垫圈/Knee Press Shaft Washer
33	A06-38	限位连杆/Knee Press Stop Lever
34	TH00007	限位连杆弹簧/Knee Press Stop Lever Spring
35	A06-41	限位连杆弹簧螺钉/Knee Press Stop Lever Clamp Screw
37	D6-37	跳缝拉杆/Skip-Stitch Selecting Grip
38	GZ00002	钢珠/Skip-Stitch Selecting Ball
39	TH00001	跳缝拉杆弹簧/Skip-Stitch Selecting Spring
40	A06-47	跳缝拉杆螺钉/Skip-Stitch Selecting Spring Holder
41	A06-48	跳缝拉杆套管/Skip-Stitch Selecting Grip Bushing
42	A06-49	跳缝拉杆凸轮/Skip-Stitch Selecting Cam
43	LD00099	凸轮螺钉/Screw(M5×8)
44	A06-51	凸轮连接螺钉/Skip-Stitch Selecting Cam Stud
45	K1-28-B	压线弹簧/Thread Tension Spring
47	H1-15	压线杆/Thread Tension Staff
48	A07-20	线夹松紧柱/Thread Nipper Releasing Pin
49	A07-21	线夹松紧套筒/Thread Nipper Releasing Pin Collar
50	LD00524	松紧套筒螺钉/Screw(9/64-40×4)
51	A07-23	线夹松紧支柱/Thread Nipper Releasing Pin Support
52	LD00532	松紧钉支柱螺钉/Screw(15/64-28×10.8)
53	A07-25	线夹松紧钉杆/Thread Nipper Releasing Pin Lever
54	K1-29	压线螺母/Thread Tension Nut
55	K1-27-A	压线板/Thread Tension Disc
56	LD00003	螺钉/Screw(M6×6)

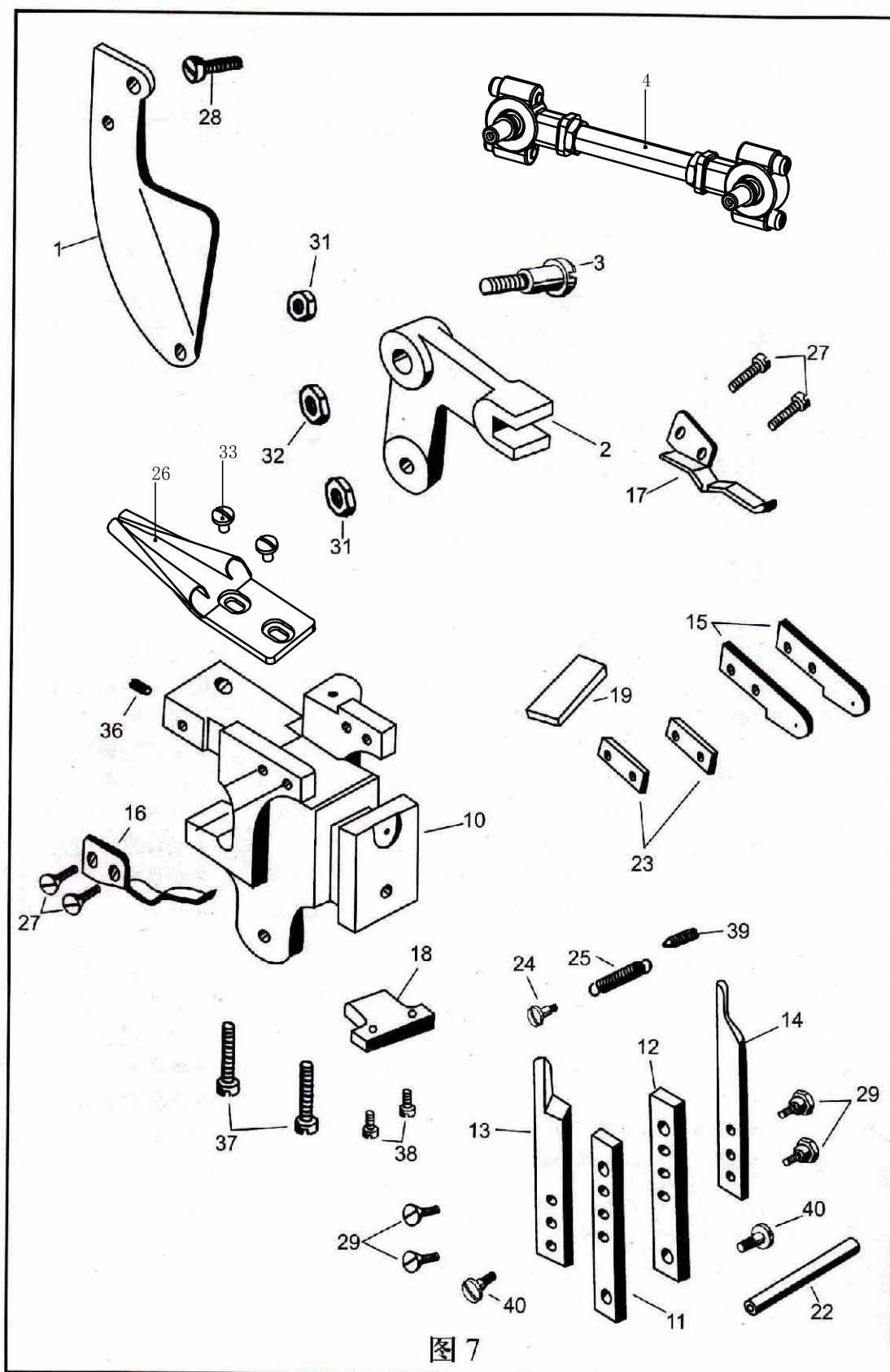


图 7

切布系统

序号 Ref.No	件号 Parts.No	部件名称 Description
1	D7-01	连杆/Connecting Rod
2	D7-02*1*2	拨叉/Slider Link
3	D7-03	螺钉/Screw
4	D7-04	关节轴承组件/Joint Bearing Assembly
10	D7-10	支架/Bracket
11	D7-11	左导向板/Left Guide Plate
12	D7-12	右导向板/Right Guide Plate
13	D7-13	左切刀/Left Cutting Knife
14	D7-14	右切刀/Right Cutting Knife
15	D7-15	上刀片/Upper Blade
16	D7-16-C	弹簧片(左边)/Leaf Spring(Left)
17	D7-17-C	弹簧片(右边)/Leaf Spring(Right)
18	D7-18-C	限位板/Limit Plate
19	D7-19-A	挡片/Baffle
22	D7-22-C	销轴/Pin Shaft
23	D7-23-C	垫片/Washer
24	D7-24	弹簧支轴/Spring Support Shaft
25	TH00013	弹簧/Spring
26	D8-18-C	裤耳筒/Trouser Tube
27	LD00077	螺钉/Screw
28	LD00079	螺钉/Screw

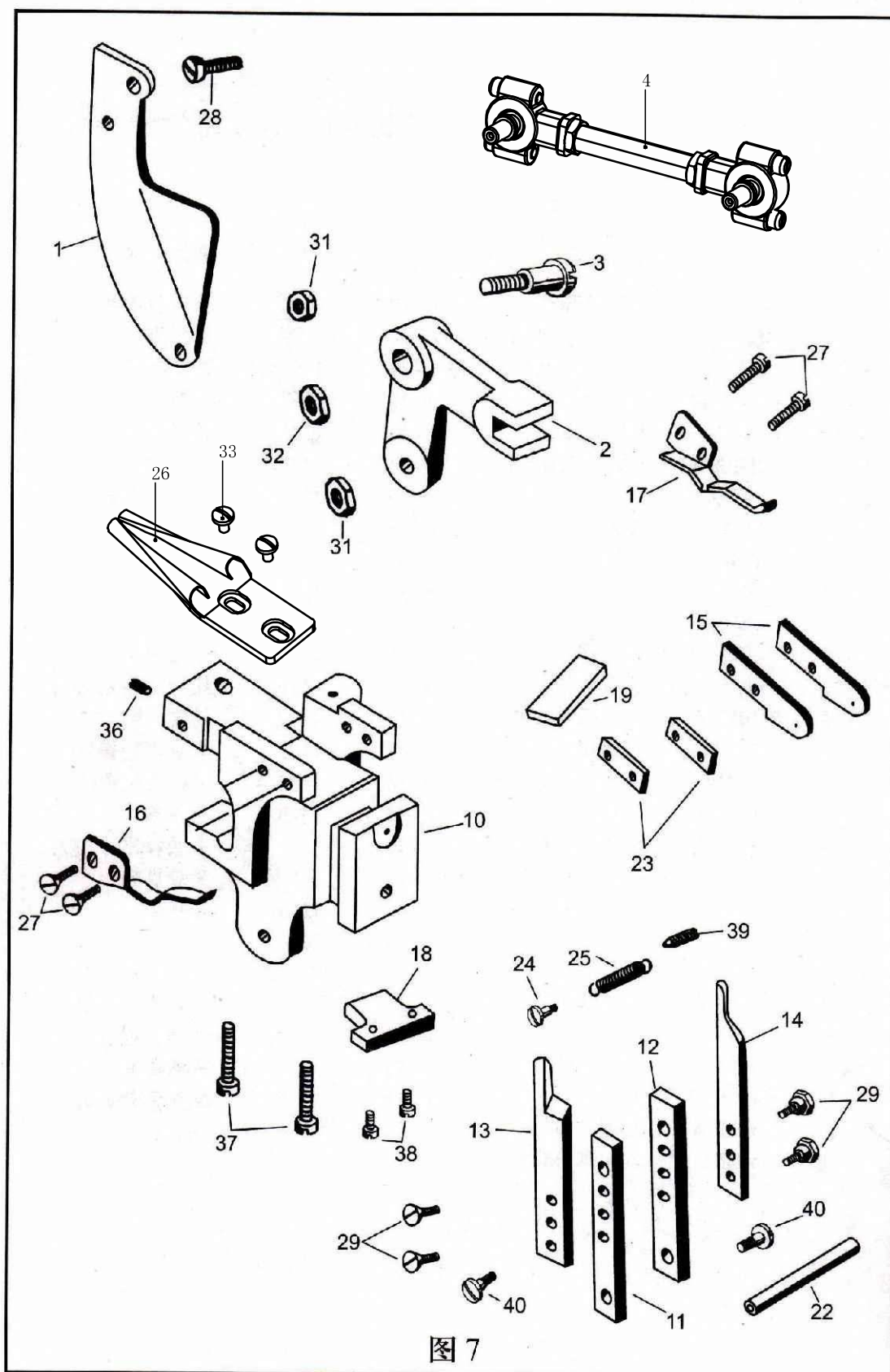


图 7

切布系统

序号 Ref.No	件号 Parts.No	部件名称 Description
29	LD00080	螺钉/ Screw
31	LM00004	螺母/ Nut
32	LM00002	支架螺母/ Nut
33	LD00080	皮带罩螺钉/ Screw
36	LD00510	螺钉/ Screw
37	LD00081	螺钉/ Screw
38	LD00082	螺钉/ Screw
39	D7-39	压脚螺钉/ Screw
40	LD00523	螺钉/ Screw

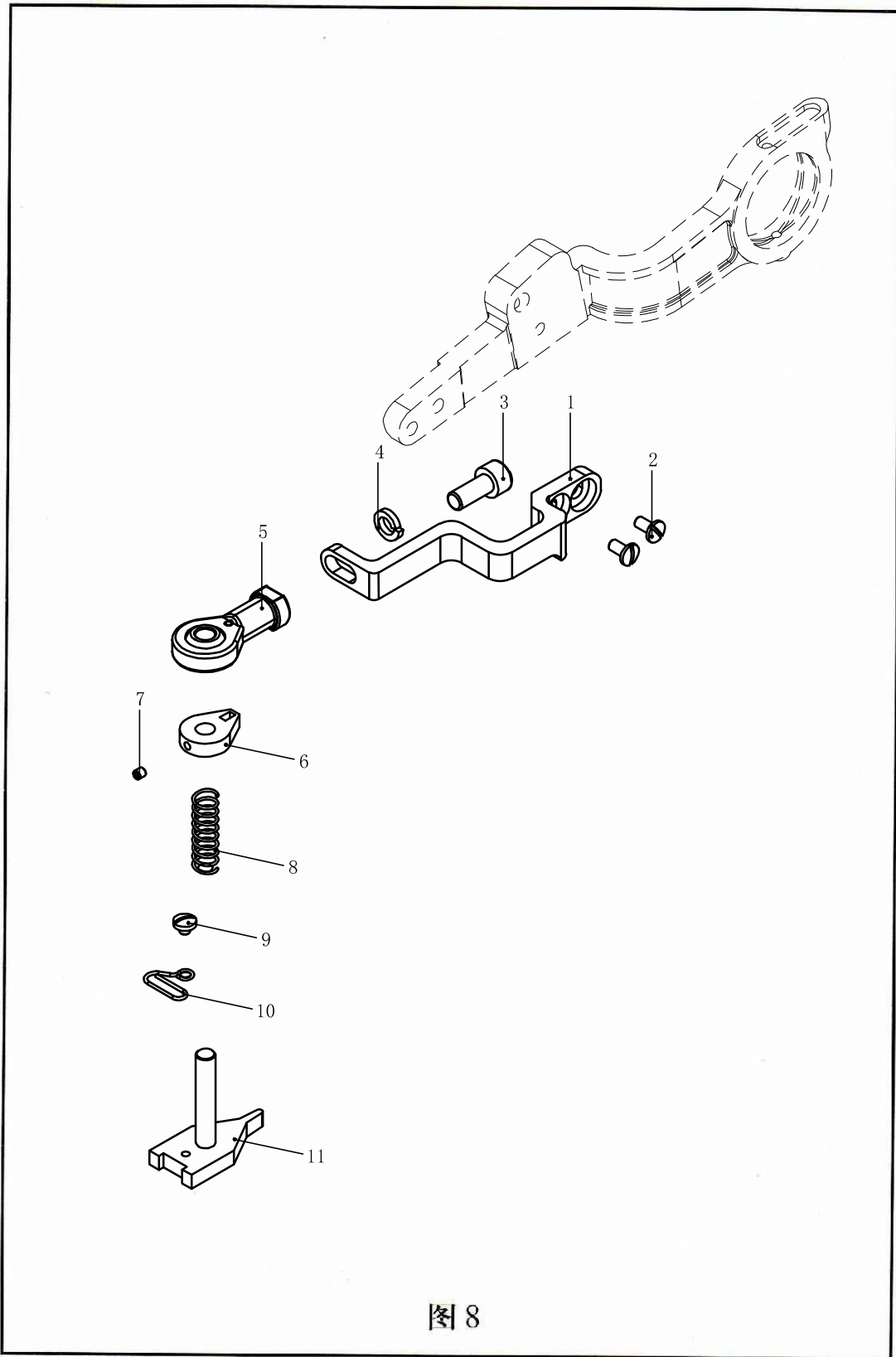


图 8

机架及盖部零部件

序号 Ref.No	件号 Parts.No	部件名称 Description
1	D8-24	送布杆/Delivery Lever
2	LD00513	螺钉/Screw
3	LD00535	螺钉/Screw
4	DQ00014	垫片/Washer
5	D8-22	送布牙轴承/Feed Dog Bearing
6	D8-21	送布牙配套件/Cloth Feeding Tooth Kit
7	LD00040	螺钉/Screw
8	TH00014	弹簧/Spring
9	LD00085	螺钉/Screw
10	D8-24-A	护指器/Finger Guard
11	D8-20	前送布牙/Front Feed Tooth

靠膝系统和标准附件

序号 Ref.No	件号 Parts.No	部件名称 Description
1	F J4-15	引线装置/Thread Guide
2	L D00004	引线装置螺钉/Screw(M4×4)
3	F J1-40	线轴销/Spool Pin
4	F J4-15-1	线轴底座/Cotton Stand Base
5	F J1-16	线底座木螺钉/Cotton Stand Base Wood Screw
6	F J8-8	螺丝刀(小)/Screw Driver (Small)
8	F J8-6	螺丝刀(大)/Screw Driver (Large)
9	F J7-28	小油壶/Rubber Cushion
11	BZ1-12	机针(14 LWX6T)/Needle(System 14 LWX6T)
12	F J9-15	压杆套筒/Work Press Rod Sleeve
13	L D00418	压杆套筒螺钉/Screw(M6×10)
14	F J7-21	压杆/Knee Press Rod
15	F J7-22	靠膝橡皮/By Knee Rubber
16	F J7-26	压板组件/Clamp Component

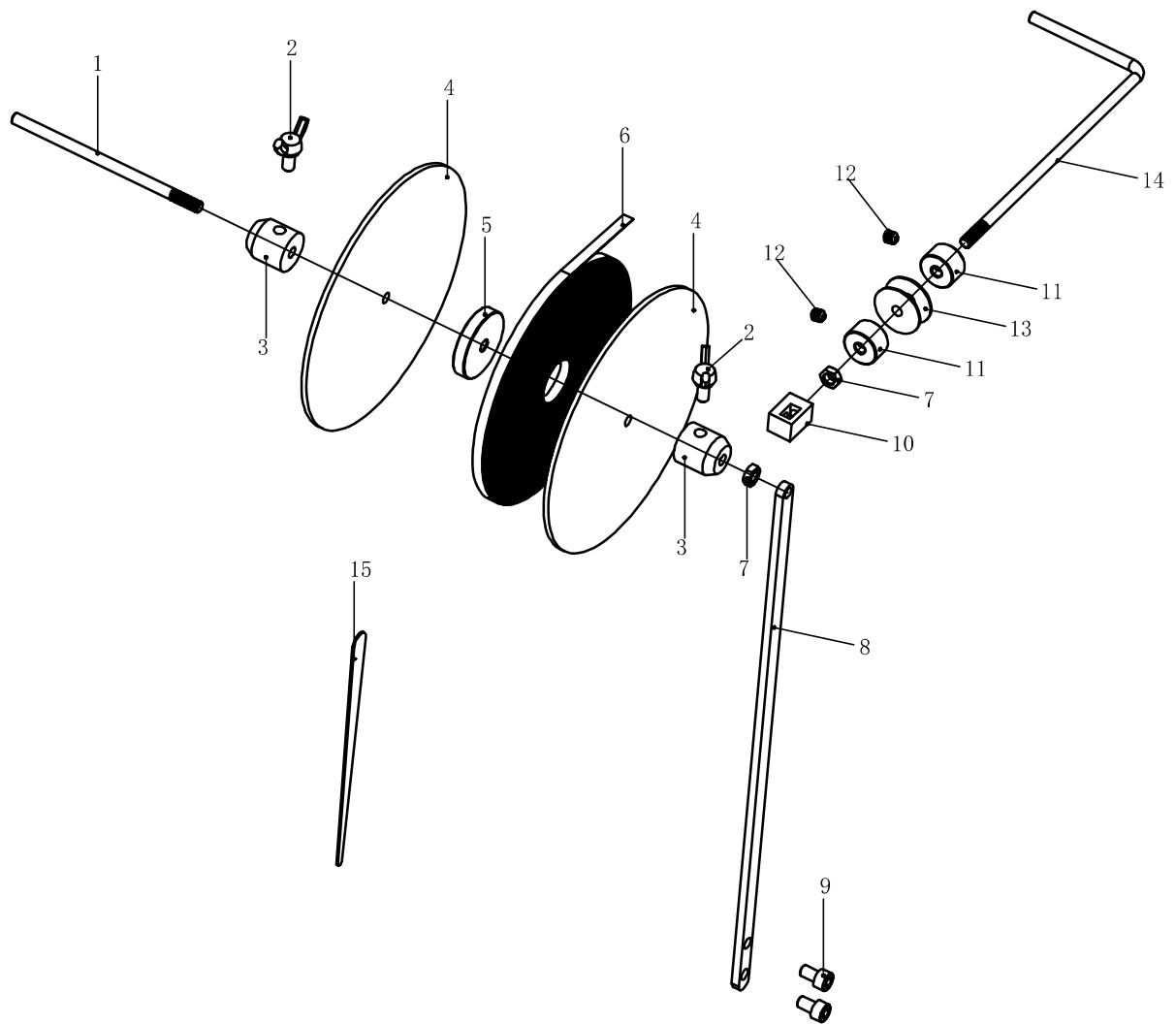


图10

衬架组件

序号 Ref.No	件号 Parts.No	部件名称 Description
1	FJ6-7	衬架一字形/Lining Frame Zigzag
2	K1-54	螺钉/Screw
3	FJ6-12	塑料块(中)/Plastic Block
4	FJ6-11	滑轮装置(大)/Pulley Device
5	FJ6-10	塑料块(大)/Plastic Block
6	FJ6-6	衬布/Interlining
7	LM00006	螺母/Nut
8	FJ6-8	衬架/Liner
9	LD00418	螺钉/Screw
10	FJ6-8-1	四方铁块/Square Iron Block
11	FJ6-13	塑料块(小)/Plastic Block
12	LD00003	内紧定/Screw
13	FJ6-9	滑轮装置(小)/Pulley Device
14	FJ6-7-1	衬架七字形/Lining Frame Seven
15	FJ7-1	挑布钢条/Pick Steel Bar